

Edition 02 / 2013

TSIII SA Implant System

TSIII SA Implant System

OSSTEM[®]
IMPLANT

Head office

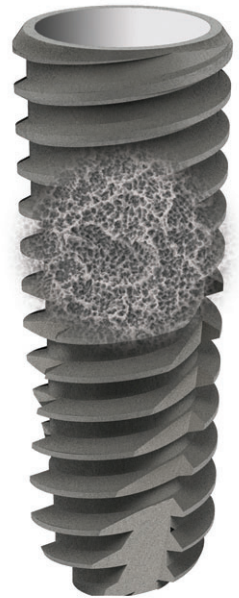
8th FL. WorldMeridian Venture Center II , 426-5,
Gasam-dong, Geumcheon-gu, Seoul, Korea
tel_ 82 2 2016 7000, fax_ 82 2 2016 7001
homepage_ <http://www.osstem.com>

Manufacturer

#507-8, Geoje3-dong, Yeonje-gu
Busan, Korea. Zip_ 611-804
tel_ 82 51 850 2500
fax_ 82 51 861 4693

OSSTEM[®]
IMPLANT

OSSTEM SA Surface

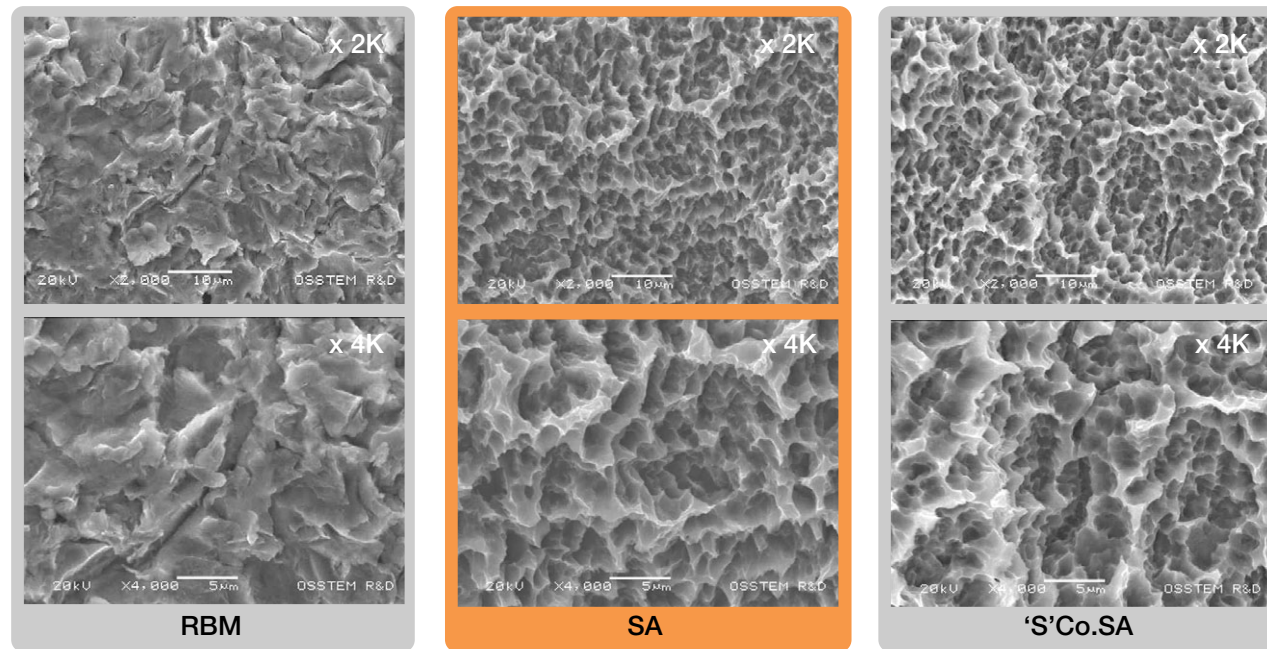


OSSTEM[®] SA Surface IMPLANT

SA : Sand blasted with alumina and **A**cid etched surface

- Optimal morphology : Combination of crater and micro-pit
- Optimal surface roughness : Ra 2.5~3.0 μm
- Early cell response : 20% faster than RBM
- Early bone healing : 20% faster than RBM
- Early loading possible after 6 weeks of placement.

OSSTEM SA & 'S' surface morphology and roughness increased by 45% compared to RBM treatment.



SEM (Scanning Electron Microscope) image

TSIII SA implant overview

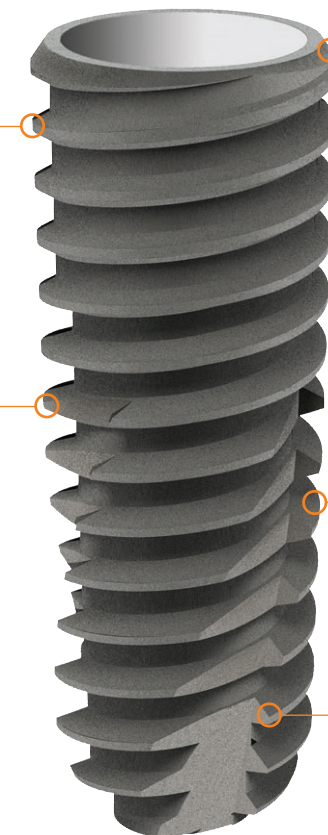
TSIII SA implant, developed with extensive R&D experiences of Osstem Implant, features an SA surface treatment that fully exploits the excellent pluri-potential capacity of osteoblastic cells. It shortens the bone healing time, and improves the secondary attachment force. In addition, SA surface is adopted to have a convenient placement and initial stability due to its optimal body design.

Single Pitch Micro Thread

- 0.8pitch x 0.25depth x double lead
- Synchronized thread
- Optimized design for SA surface
- Reinforce fixture strength

Corkscrew Thread

- 0.8pitch x 0.5depth x double lead
- Powerful self threading
- Keep implant path
- Easy to change the path
- High initial stability
- Decrease sensitivity on drill size



Open Thread

- Prevents bone necrosis

Helix Cutting Edge

- Powerful self threading
- Easy path change

Apical design

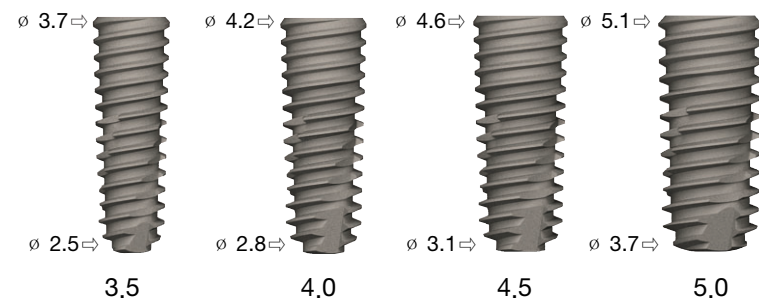
- Self drilling ability
- Increased initial stability at fresh extraction socket

TSIII SA Fixture Line Up

TSIII SA Fixture can be specified by four different diameters (3.5, 4.0, 4.5 and 5.0mm), and by packaging for No-mount fixture and Pre-mounted fixture (Fixture + Mount + Cover screw). The surface treatment applied to TSIII Fixture is SA(Sand blasted with alumina and Acid etched).

NoMount Fixture

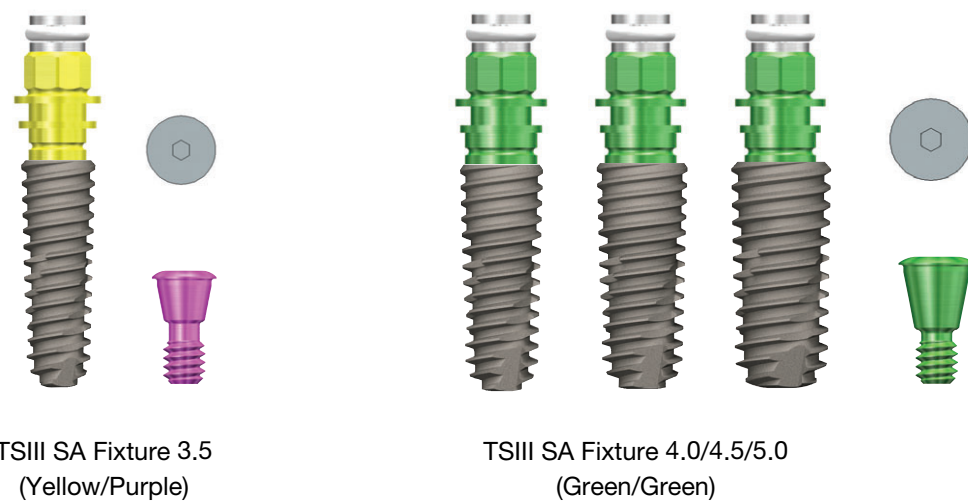
Fixture : Product Code (Ex:TS3S4011S)



※ The following labeled dimension may differ from the actual dimension.

Pre-mounted Fixture (Simple Mount)

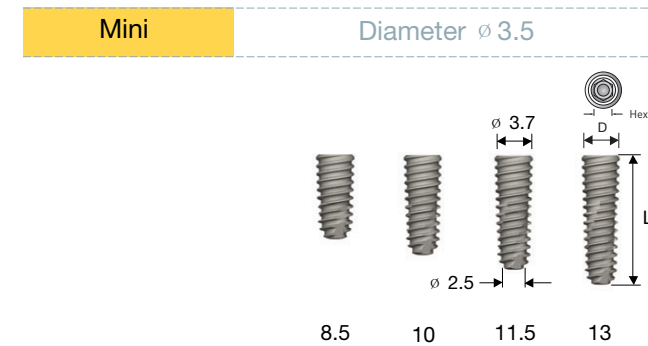
Fixture + Mount + Cover Screw : B + Product Code (Ex:BTS3S4011S)



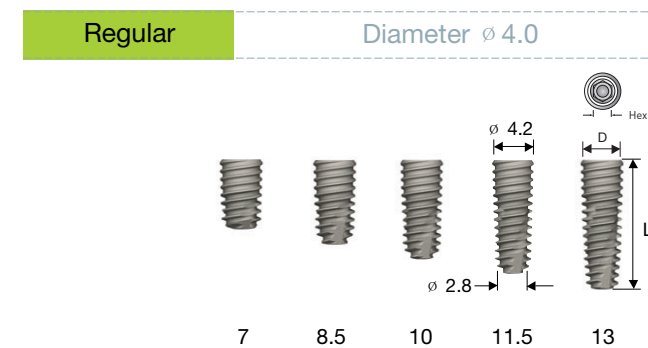
TSIII SA Fixture Line Up

M R Connection

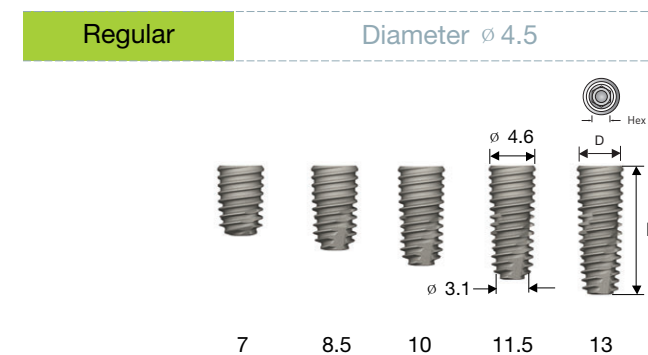
* The following labeled dimension may differ from the actual dimension.



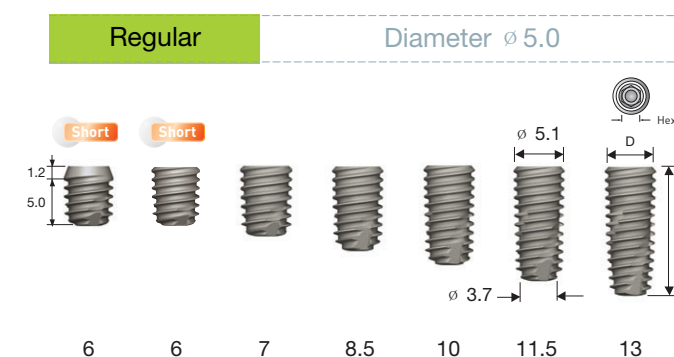
Connection		Mini
L	D	ϕ 3.5
7		-
8.5		TS3M3508S
10		TS3M3510S
11.5		TS3M3511S
13		TS3M3513S



Connection		Regular
L	D	ϕ 4.0
7		TS3S4007S
8.5		TS3S4008S
10		TS3S4010S
11.5		TS3S4011S
13		TS3S4013S



Connection		Regular
L	D	ϕ 4.5
7		TS3S4507S
8.5		TS3S4508S
10		TS3S4510S
11.5		TS3S4511S
13		TS3S4513S

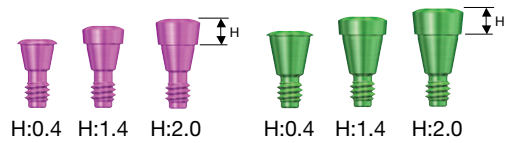


Connection		Regular
L	D	ϕ 5.0
6		TS3S5005S
6		TS3S5006S
7		TS3S5007S
8.5		TS3S5008S
10		TS3S5010S
11.5		TS3S5011S
13		TS3S5013S

TSIII SA Fixture Line Up

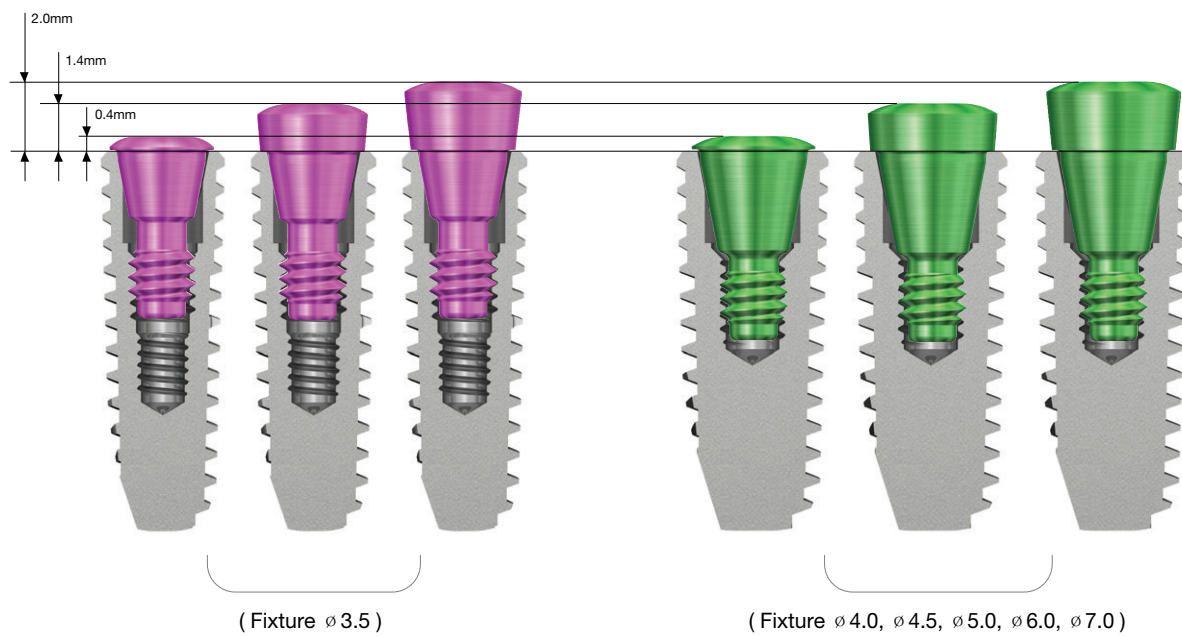
TSIII SA Fixture has two types of abutment connection specifications: one is the Mini Connection for the $\varnothing 3.5$ fixture, and the other is the Standard Connection for other diameters. The Mini Connection must be used with separate abutment; in contrast, the Standard Connection can be used with the same abutment for fixtures more than $\varnothing 4.0$ regardless of the diameter.

Cover Screw

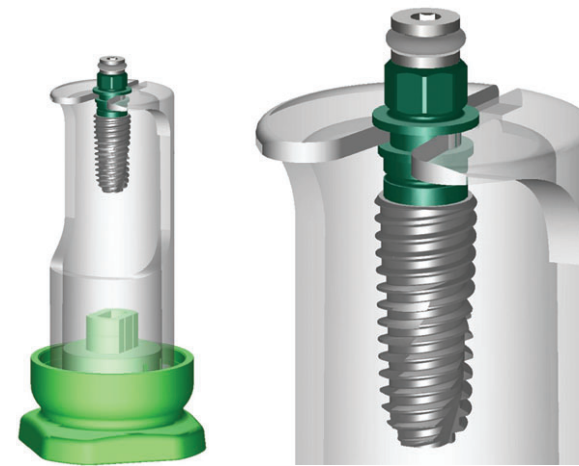


Color	Purple	Green
Fixture	$\varnothing 3.5$	$\varnothing 4.0, \varnothing 4.5, \varnothing 5.0, \varnothing 6.0, \varnothing 7.0$
Code	GSCS35, GSCS35M, GSCS35L	GSCS40S-G, GSCS40M-G, GSCS40L-G

- Packing unit: Cover Screw
- Use a long cover screw when fixture implanted under the bone level
- 1.2 Hex Driver used
- Tightening torque: 5~8Ncm



TSIII SA Packing System



• New Ampoule User's Guide

- Applying: Grip type ampoule to protect TS III SA surface



1. Remove the back of blister (sterilized condition is not guaranteed once the blister is removed).
2. Remove the Capsule by rotating
3. Connect Driver; clicks when properly connected
4. Remove Fixture from grip holding